



TRUClose®

MULTIADJUST™

# Highly adjustable, heavy-duty hinges for vinyl & composite gates



## Patented 3-in-1 adjustment, solves gate sag for good!

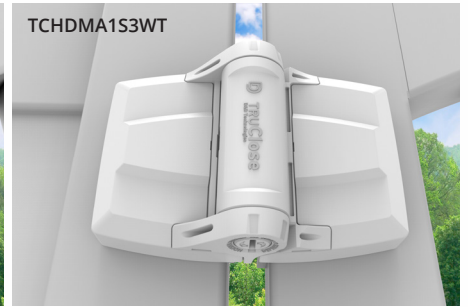
- Up to 50% faster to install with NEW built-in brackets
- Adjustability ensures precise installations & self-closing tension
- Quick self-closing adjustment - no special tools required
- Self-closes gates up to 70kg
- Independently endurance tested to AS1926.1 2012 standards\*
- UV stabilised, industrial strength polymer & stainless steel
- Contemporary design for vinyl & composite gates
- Removable trim covers & all fasteners included

\*Based on a 1800mm H x 1200mm W PVC gate weighing 70kg



D&D Technologies

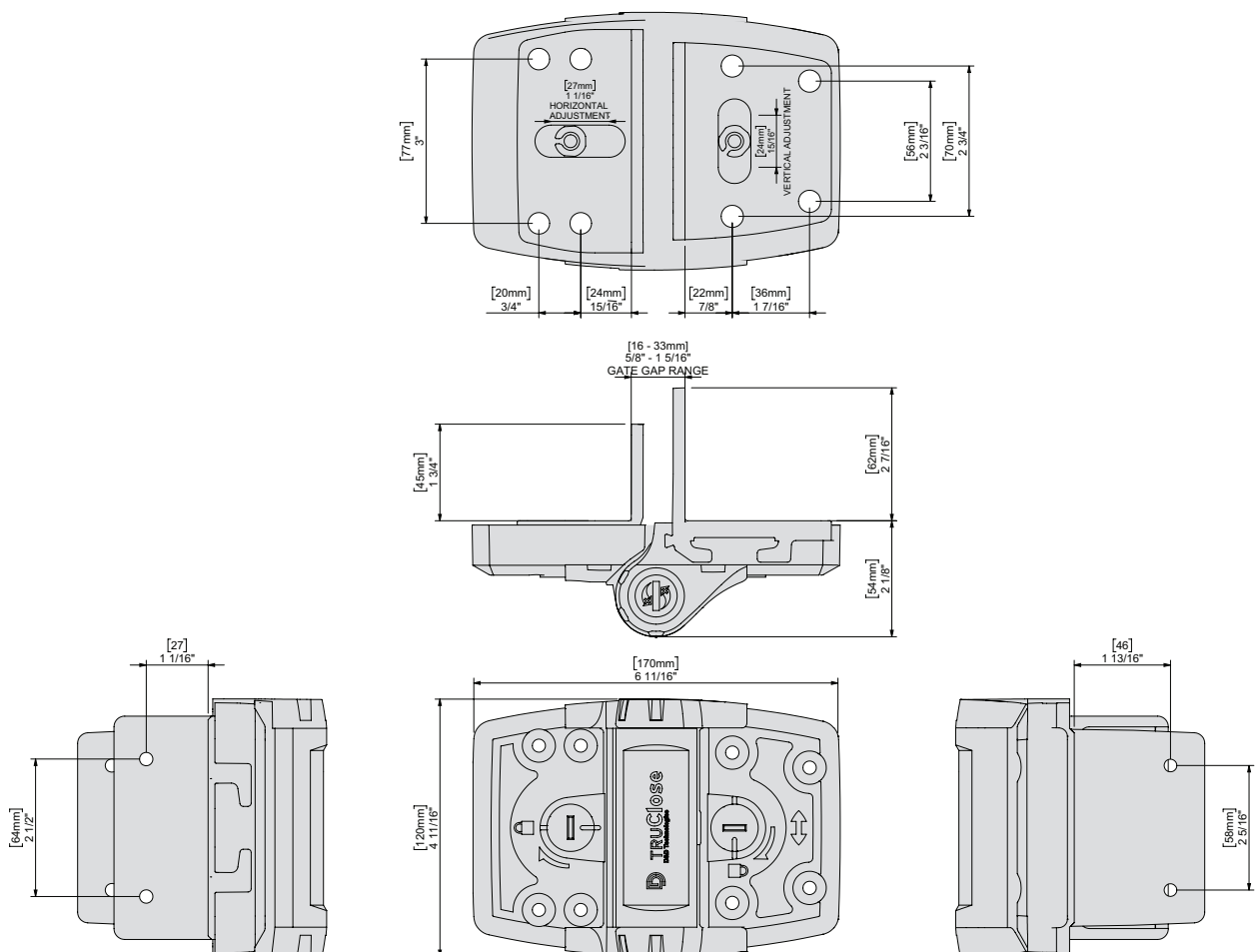
World's most trusted gate hardware



CODE	PRODUCT NAME	GATE MATERIAL	IDEAL GATE GAP	GAP VARIANCE	COLOUR
TCHDMA1S3BT	TruClose® Multi-Adjust™ Series 3	Vinyl, Composite	25mm	16-43mm	Black
TCHDMA1S3WT	TruClose® Multi-Adjust™ Series 3	Vinyl, Composite	25mm	16-43mm	White

For further product details, or to download installation specifications, go to our website

**www.ddtech.com**



**www.ddtech.com**

Unit 6, 4-6 Aquatic Drive, Frenchs Forest NSW 2086  
Tel: (02) 9454 7888. Email: sales@ddtech.com.au